

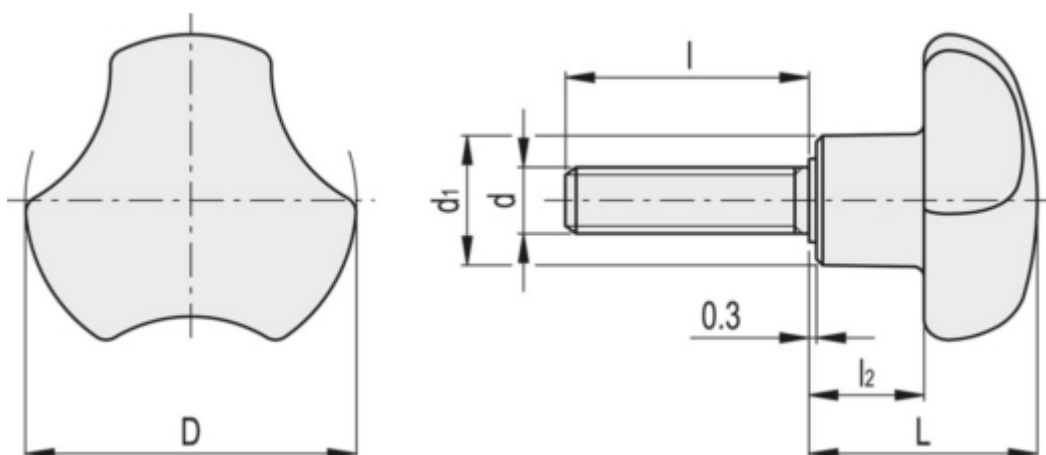
Data Sheet



Article number: 2302151783

Description: Lobe knob
VTT.50-SST-p-M10x20 CLEAN

Measures



D	= 50
d1	= 19
Dg	= -
l2	= 15
L	= 30
L1	= 20
Weight in (g)	= 47